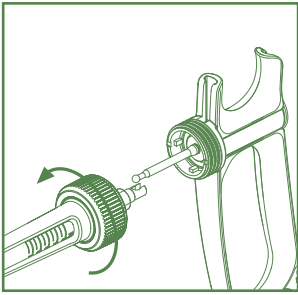


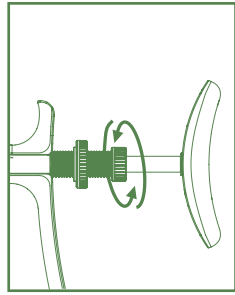
SOCOREX® SELF-REFILLING SYRINGE *ULTRA* 1810

Abacus™ Shot Counter – Instructions

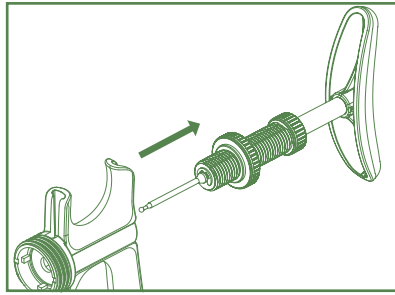
Disassembling



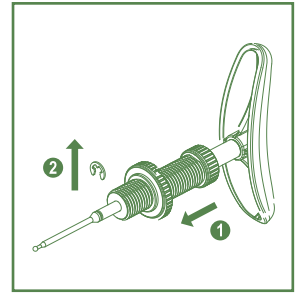
Unscrew nut and disassemble plunger rod from plunger.



Unscrew socket entirely.

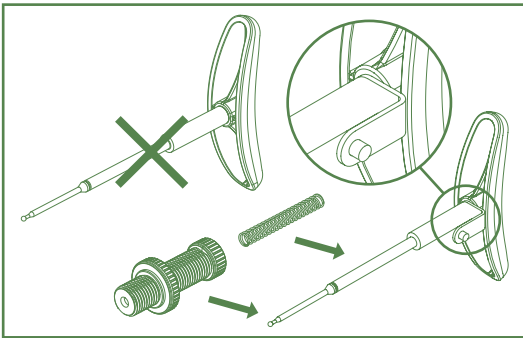


Remove from handle.

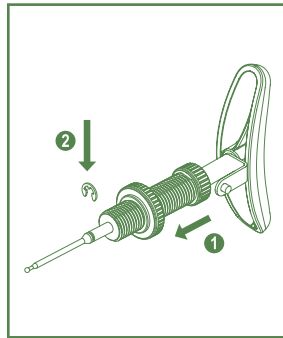


Remove clip in pushed position ①.

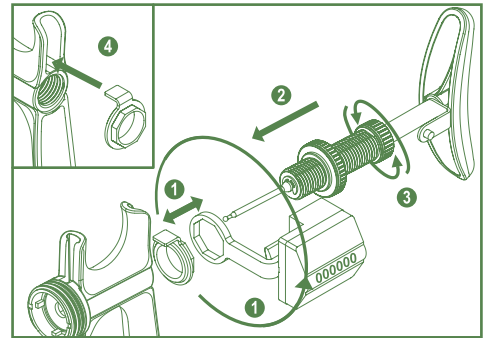
Reassembling with shot counter



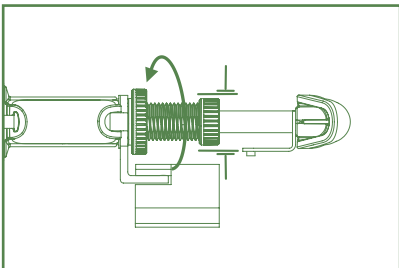
Assemble spring and socket on magnet-fitted plunger rod supplied.



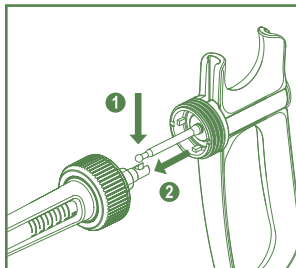
Insert clip in pushed position ①.



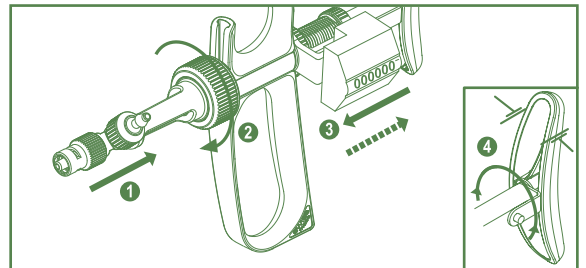
Place counter holder on socket ② after setting counter orientation among 8 positions available ①. Connect to handle ③ (tab fits upper handle recess ④).



Hold socket while locking ring.

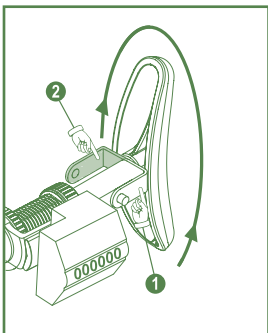


Connect plunger and rod.

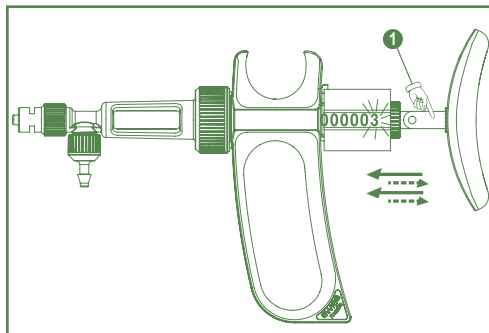


Connect body in pushed position. Adjust magnet orientation to that of counter, holding plunger rod motionless ④.

Operating syringe with shot count



Choose magnet side turning plunger rod:
Position ①: shot counting.
Position ②: priming.



Activate plunger, each shot will increment counter figure if position ① chosen.

Note: Proceed to **partial reset** (round or given number) by means of any hand-held magnet.



Abacus™ shot counter and magnet-fitted rod are not autoclavable.

Operating volume range

Syringe model	Counter operating range
0.1 mL	0.03 mL - 0.1 mL
0.2 mL	0.05 mL - 0.2 mL
0.3 mL	0.1 mL - 0.3 mL
0.5, 1, 2 mL	Full range

Ordering information

Description	Pack	Cat. No.
Shot counter* for 0.1 and 0.2 mL syringes	1/pk	1.1810.962
Shot counter* for 0.3, 0.5, 1 and 2 mL syringes	1/pk	1.1810.966
Magnet for counter setting	1/pk	1.1810.160

* Supplied with magnet-fitted plunger rod.

I.1810ABA.E - E0423